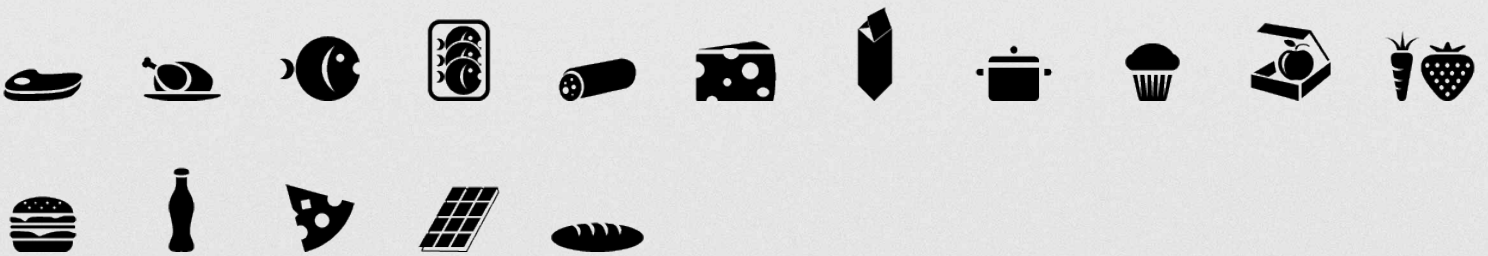


## Flexible Line Bistrot



Eurocryor presents Bistrot, the ideal display cabinet for complex shapes and maximum flexibility. Innovative and elegant, it is the optimum solution for enhancing display layout and meets even the most sophisticated of needs.

### PRODUCT CATEGORIES



### TECHNICAL FEATURES





## ACCESORIES



- Front basket/bottle display rack
- Low mobile divider
- Stepped decks
- 360mm Back-shelf paper holder
- Price ticket strip
- Night blinds
- Low temperature
- Basket rail with three tubes
- Floor tubular bumper rail
- Puerta corredera posterior en plexiglass con guía
- Anti-mist front baffle
- Sliding machine/scale holder
- Knives holder
- Electrical sockets
- G-N pans (supplied separately)
- Refrigerated storage
- Paper holder
- Tubular bumper rail on canopy
- High mobile divider
- Hooksrear supports (supplied separately)
- Rotating plate
- Paper roll holder
- Polyethylene cutting board
- Fish tanks
- Shelf
- Double paper holder

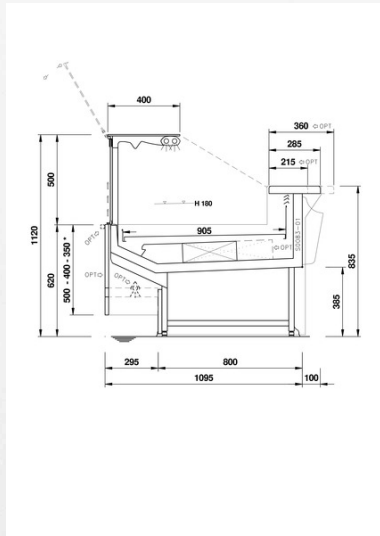
## TECHNICAL INFORMATION



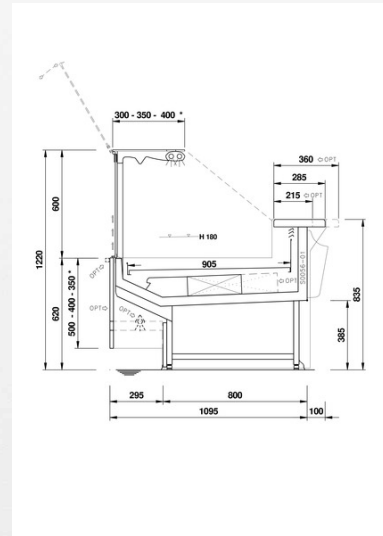
Climate class	3
Product temperature class	3m1
Refrigeration type	Ventilated
Refrigeration characteristics	290/W



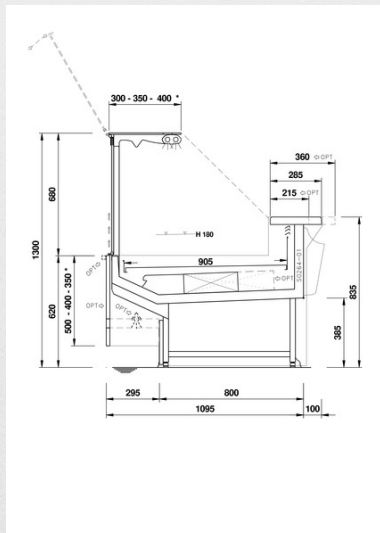
H600 VENTILATED



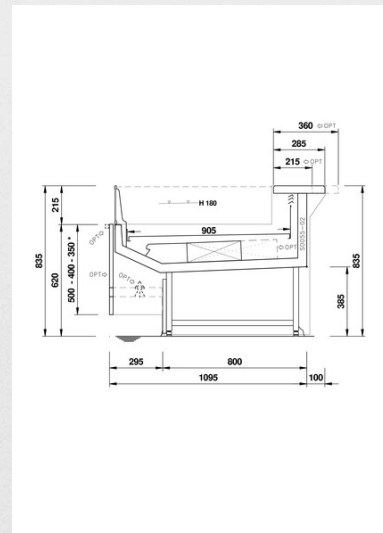
H600 VENTILATED



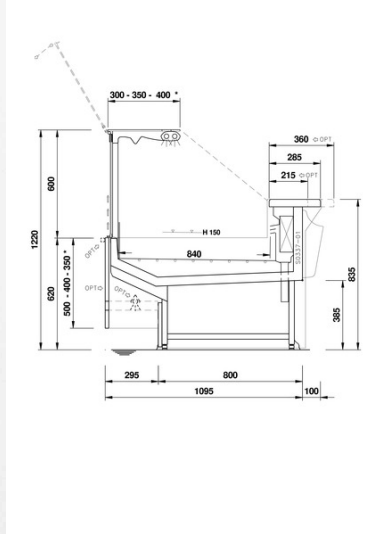
H600 VENTILATED



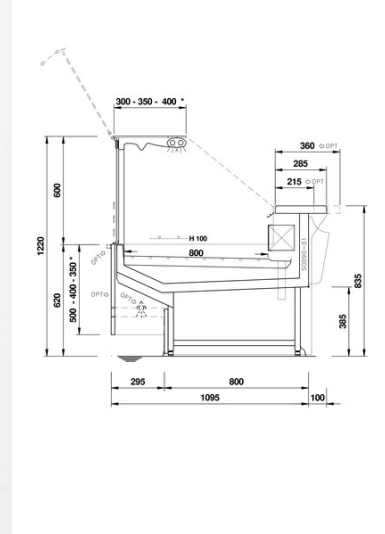
H600 SELF-SERVICE



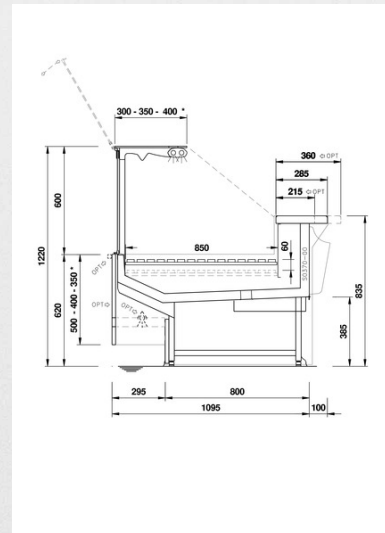
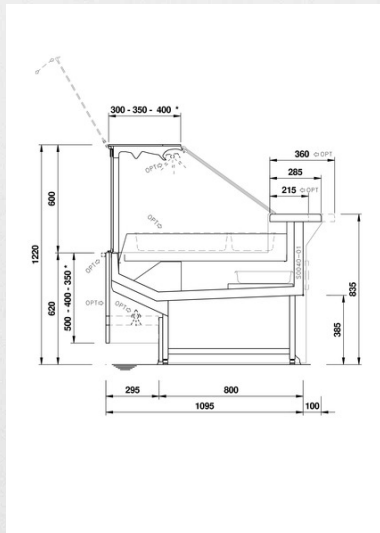
H600 COILED DECK



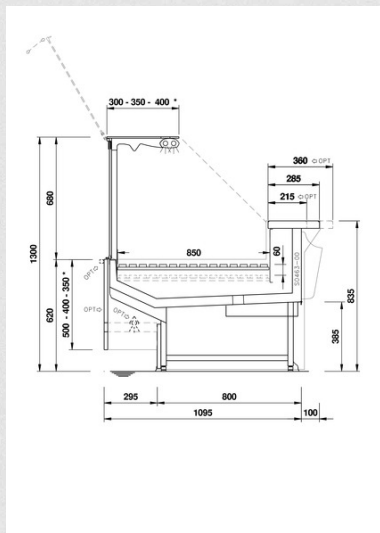
H600 HOT HUMID



H600 Bread



H600 Bread



## LEGEND



Meat



Chicken



Fish



Pre-packed fish



Delicatessen



Cheese



Dairy products



Gastronomy



Pastries



Pre-packed fruit and vegetables



Fruit and Vegetables



Sandwiches



Drinks



Pizza



Chocolate



Bread



Frozen Food and Ice cream



Off-cycle defrost



Electric defrost



Hot-gas defrosting system



Manual defrost



Ventilated



Static



Incorporated condensing unit



Remote condensing unit



Bagnomaria



Ceramic glass



Ice



LED lighting